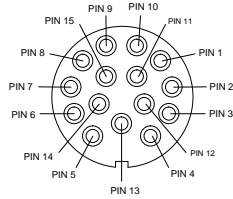


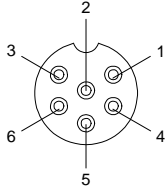
### VIEW A



### MALE MATING FACE

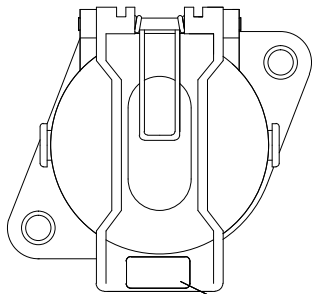
| PIN NUMBER | WIRE COLOUR | SHIELDED | SHIELD CONNECTED TO | FUNCTION            |
|------------|-------------|----------|---------------------|---------------------|
| 1          | RED         | NO       | -                   | 12V FOR CAMERA 1    |
| 2          | SHIELD      | NO       | -                   | GROUND FOR CAMERA 1 |
| 3          | -           | -        | PIN 11              | -                   |
| 4          | YELLOW      | YES      | PIN 2               | VIDEO FOR CAMERA 1  |
| 5          | -           | -        | PIN 2               | -                   |
| 6          | RED         | NO       | -                   | 12V FOR CAMERA 2    |
| 7          | RED         | NO       | -                   | 12V FOR CAMERA 3    |
| 8          | -           | -        | PIN 10              | -                   |
| 9          | YELLOW      | YES      | PIN 10              | VIDEO FOR CAMERA 2  |
| 10         | SHIELD      | NO       | -                   | GROUND FOR CAMERA 2 |
| 11         | SHIELD      | NO       | -                   | GROUND FOR CAMERA 3 |
| 12         | YELLOW      | YES      | PIN 11              | VIDEO FOR CAMERA 3  |
| 13         | -           | -        | -                   | -                   |
| 14         | -           | -        | -                   | -                   |
| 15         | -           | -        | -                   | -                   |

### VIEW B

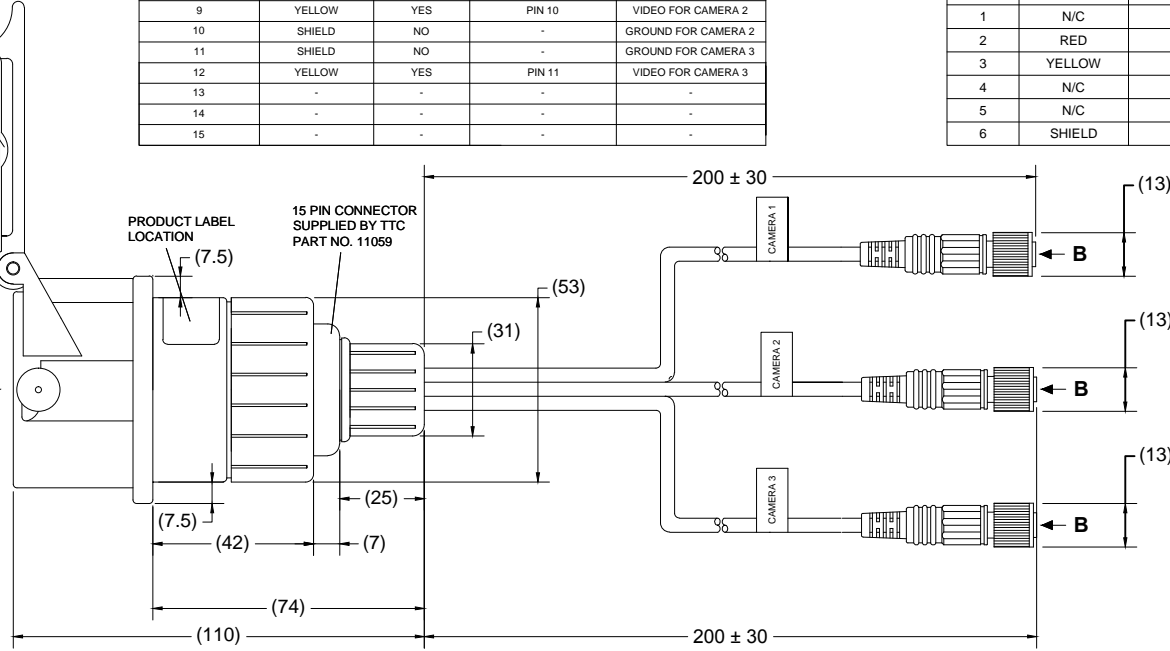
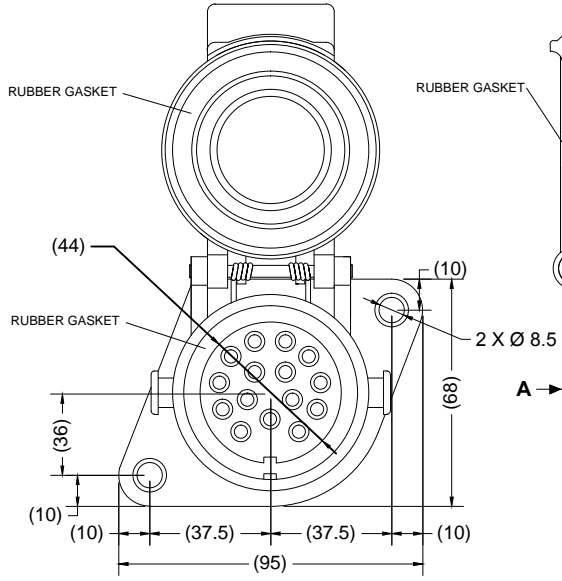


### 6 PIN FEMALE MATING FACE

| PIN # | WIRE COLOUR | DESCRIPTION |
|-------|-------------|-------------|
| 1     | N/C         | N/A         |
| 2     | RED         | 5.2V DC     |
| 3     | YELLOW      | VIDEO       |
| 4     | N/C         | N/A         |
| 5     | N/C         | N/A         |
| 6     | SHIELD      | GND         |



"BRIGADE ONLY" LABEL LOCATION



- NOTES:**
1. CABLES MUST BE POTTED IN REAR OF CONNECTOR.
  2. SCREENS MUST BE INSULATED USING HEAT SHRINK TUBING.
  3. PHYSICAL APPEARANCE OF THE CONNECTORS MAY VARY ALTHOUGH FUNCTION MUST REMAIN UNCHANGED.
  4. WIRES TO BE SOLDERED INTO PINS.
  5. CAMERA CABLES & CONNECTORS TO BE SOURCED FROM BRIGADE BN360-L1025 CABLE.
  6. FOR PRODUCT LABEL REFER TO DRAWING # BE-001126-00-10 & BE-001122-XX-10 FOR AVERY TEMPLATE.
  7. FOR "BRIGADE ONLY" REFER TO DRAWING # BE-001118-00-10 & BE-001120-XX-10 FOR AVERY TEMPLATE.
  8. FOR CAMERA CABLE LABELS REFER TO DRAWING # BE-001145-XX-10.

**PROPRIETARY NOTICE**  
 THIS DESIGN AND TECHNICAL INFORMATION APPEARING ON THIS DRAWING IS THE PROPERTY OF BRIGADE ELECTRONICS, AND IS DISCLOSED IN CONFIDENCE. IT IS NOT TO BE COPIED, REPRODUCED, REVEALED TO OR EXPROPRIATED BY OTHERS, EITHER IN WHOLE OR IN PART WITHOUT THE EXPRESS WRITTEN CONSENT OF BRIGADE ELECTRONICS.

|                 |         |           |            |         |
|-----------------|---------|-----------|------------|---------|
| Revision Notes. |         |           |            |         |
| R1 -            |         |           |            |         |
| APA: -          | Drawn:- | Checked:- | Approved:- | Date: - |

|                                              |                           |                       |                      |
|----------------------------------------------|---------------------------|-----------------------|----------------------|
| Assembly Pl Approval<br>SIMON NIXON 09.02.16 | Approved by<br>B.CHILDS   | Checked by<br>R.BATES | Drawn by<br>M.POTTER |
| Angle of Projection<br>                      | Units<br>mm               | Scale<br>N/A          | Released<br>11.03.16 |
| Status<br>RELEASED                           | Assembly Ref<br>SP-15B-05 |                       |                      |
| Part No<br>5065                              | BE-003298-00-16           |                       |                      |

**BRIGADE**  
 www.brigade-electronics.com